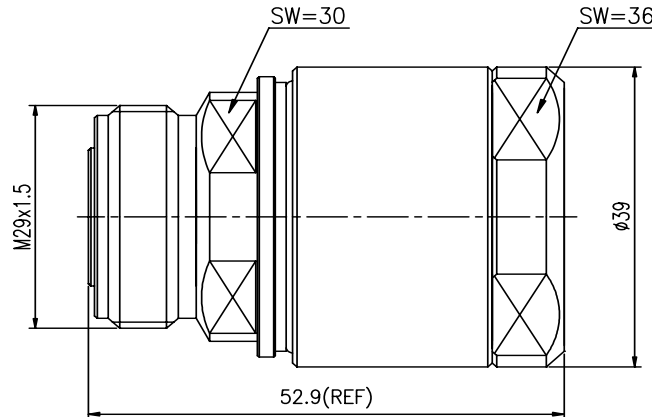




1. DIMENSIONS (mm)



2. ELECTRICAL CHARACTERISTICS

- Characteristic impedance : **50 Ω ± 2%**
- Operating frequency range : **DC - 3GHz**
- Insulation resistance : **≥ 10000 MΩ**
- Contact resistance
 - Inner contact : **≤ 0.4 mΩ**
 - Outer contact : **≤ 0.2 mΩ**
- Voltate test (at sea level) : **4000 V eff / 50 Hz**
- Operating voltage (at sea level) : **2700 V eff / 50 Hz**
- 3rd order intermodulation product measured in swept frequency mode with 2 x 20W carriers, $F \leq 1880$ MHz : **≤ -158 dBc**
- VSWR (0-1.8GHz) : **1.035**
- VSWR (1.8-2.5GHz) : **1.060**

3. MECHANICAL CHARACTERISTICS

- Coupling standard : **7/16 Female in compliance with IEC 60169-4 standard**
- Body : **Copper alloy-plated brass**
- Clamping and coupling nut : **Nickel-plated brass**
- Insulator : **PTFE**
- Inner conductor : **Silver plated bronze**
- Clamping nut waterproofing : **Silicon O-ring**
- Operating temperature range : **-40°C < T < +85°C**
- Weight : **170g**
- Waterproofing index : **IP 68**

4. INSTALLATION INSTRUCTIONS : ANM-C0631X

5. COMPATIBILITY WITH ACOME HPL50 : M5407, M5422, M5423, M5425, M5426

This technical specification is for reference only and is subject to change without notice