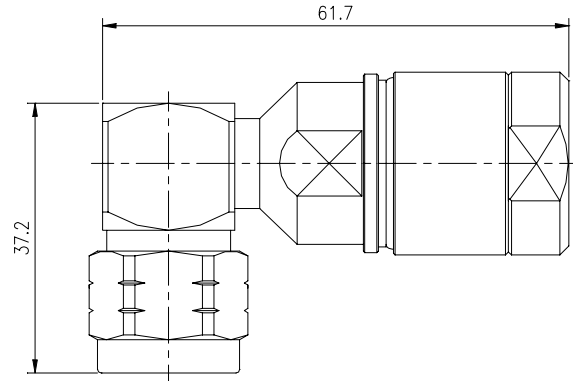




1. DIMENSIONS (mm)



2. ELECTRICAL CHARACTERISTICS

- Characteristic impedance : **50 Ω ± 2%**
- Operating frequency range : **DC - 3GHz**
- Insulation resistance : **≥ 5000 MΩ**
- Contact resistance
 - Inner contact : **≤ 1.0 mΩ**
 - Outer contact : **≤ 0.25 mΩ**
- Voltate test (at sea level) : **2500 V eff / 50 Hz**
- Operating voltage (at sea level) : **1500 V eff / 50 Hz**
- 3rd order intermodulation product measured in swept frequency mode with 2 x 20W carriers, $F \leq 1880$ MHz : **≤ -145 dBc**
- VSWR (0-2.2GHz) : **≤ 1.10**
- (2.2-3GHz) : **≤ 1.135**

3. MECHANICAL CHARACTERISTICS

- Coupling standard : **N male elbow in compliance with IEC 60169-16**
- Body : **Copper alloy-plated brass**
- Clamping and coupling nut : **Nickel-plated brass**
- Insulator : **PTFE**
- Inner pin : **Silver-plated brass**
- Inner conductor : **Silver-plated bronze**
- Coupling waterproofing : **Silicone gasket**
- Clamping nut waterproofing : **Silicone O-ring**
- Operating temperature range : **-40°C < T < +85°C**
- Weight : **130g**
- Waterproofing index : **IP 68**

4. INSTALLATION INSTRUCTIONS : ANM-C0060X

5. COMPATIBILITY WITH ACOME HPL50 : M1473, M2831, M5322, M5398

This technical specification is for reference only and is subject to change without notice

DIVISION TELECOMMUNICATION

52 rue du Montparnasse - 75014 PARIS - France

Tél : +33.142.79.14.00 - Fax : +33.142.79.15.00 - Email : DTLC@acome.fr