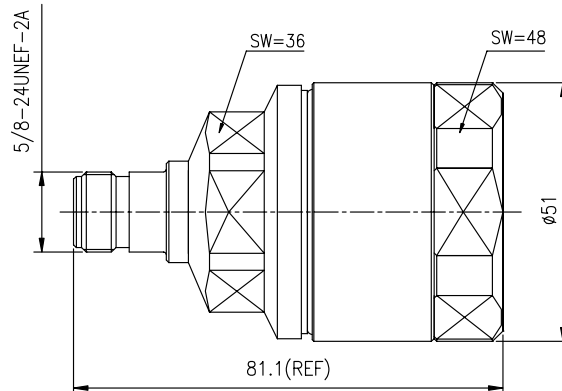


1. DIMENSIONS (mm)



2. ELECTRICAL CHARACTERISTICS

- Characteristic impedance : **50 Ω ± 2%**
- Operating frequency range : **DC - 3GHz**
- Insulation resistance : **≥ 5000 MΩ**
- Contact resistance
 - Inner contact : **≤ 1.0 mΩ**
 - Outer contact : **≤ 0.25 mΩ**
- Voltate test (at sea level) : **2500 V eff / 50 Hz**
- Operating voltage (at sea level) : **1500 V eff / 50 Hz**
- 3rd order intermodulation product measured in swept frequency mode with 2 x 20W carriers, F ≤ 1880 MHz : **≤ -145 dBc**
- VSWR (0-3GHz) : **≤ 1.10**

3. MECHANICAL CHARACTERISTICS

- Coupling standard : **N female in compliance with IEC 60169-16 standard**
- Body : **Copper alloy-plated brass**
- Clamping and coupling nut : **Nickel-plated brass**
- Insulator : **PTFE**
- Inner conductor : **Silver plated bronze**
- Clamping nut waterproofing : **Silicone O-ring**
- Operating temperature range : **-40°C < T < +85°C**
- Weight : **340g**
- Waterproofing index : **IP 68**

4. INSTALLATION INSTRUCTIONS : ANM-C0057X

5. COMPATIBILITY WITH ACOME HPL50 : M2937, M2938, M5358, M5400

This technical specification is for reference only and is subject to change without notice